

AURELIUS MFG CO INC

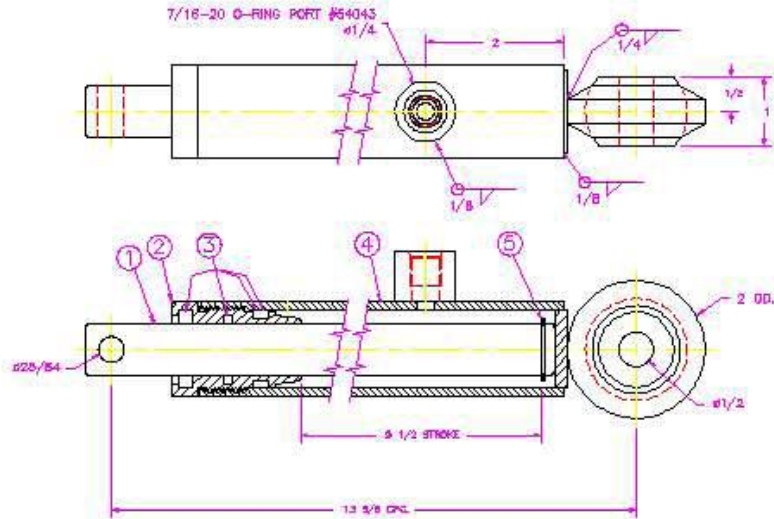
220 S.W. 8TH ST. - P.O. BOX 508
 BRAHAM, MN 55006
 320-396-3343 FAX 320-396-3346

SOLUTION PROFILE



Custom Welded Hydraulic Cylinders

- Bore - 1 to 6 inches
- Rod - 3/8 to 5 inches
 • hollows & specials
- Stroke - 0 to 20 feet
- Custom porting
 - NPT
 - S.A.E. - O-ring
 - tube lines
 - specials
- Custom valving
 - pads
 - cavities
- Integrated sensors
 - linear transducers
 - proximity



ITEM	QTY.	PART NO.	DESCRIPTION
1	1		ROD
2	1		END GLAND
3	1		SEAL KIT
4	1		TUBE WELDMENT
5	1		3/4 EXT. SNAP RING
6	1		
7	1		
8	1		

VALVE W/PT:	
P. PL. THK:	±.005
C. PL. THK:	±.030
PROVIDE:	±1/16
FINISH:	±1*
DATE:	JAH
DRG:	
SCALE:	
TIME:	

WT: LBS.

AURELIUS MFG. CO. INC.
BRAHAM, MN.

Requirement: Provide a low cost yet durable cylinder to angle a small snowplow blade.

Solution: This cylinder is economical yet durable and fully repairable. The ag-grade ball joint on the base provides low-cost flexibility to the assembled plow.

Contact
Aurelius Mfg. Co., Inc.

Phone: 320-396-3343
 Fax: 320-396-3346
 Email: info@aurelius-mfg.com